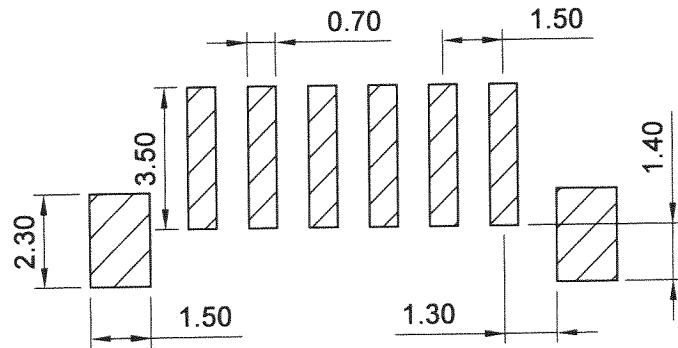
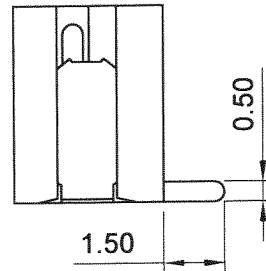
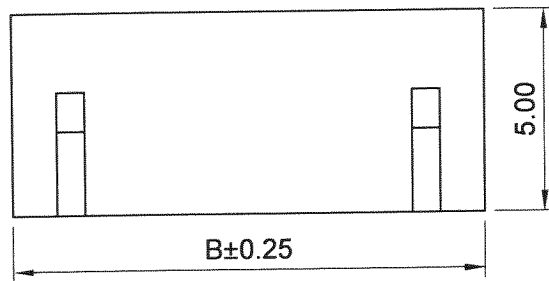
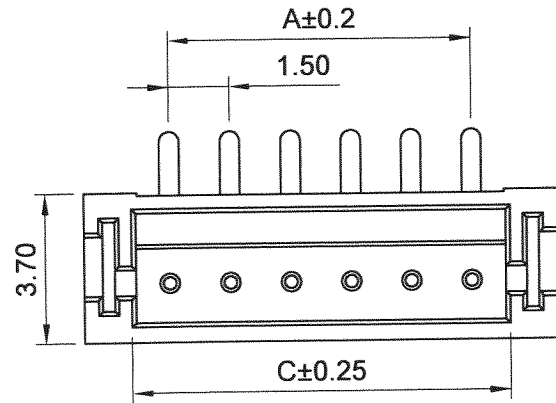


RoHS
Compliant
2002/95/EC



Recommad PCB Layout

SPECIFICATIONS

CURRENT RATING : 1A AC,DC
 VOLTAGE RATING : 100V AC,DC
 TEMPERATURE RANGE : -25°C TO +85 °C
 CONCTACT RESISTANCE : 20 mΩ MAX.
 INSULATION RESISTANCE : 500 MΩ MIN.
 WITHSTANDING VOLTAGE : 500V AC/MINUTE
 MATERIAL : PIN-BRASS/TIN-PLATED
 BASE-NYLON 6T UL94V-0

Ordering Information & Dimensions

Poles	Dimension (mm)		
	A	B	C
2	1.50	6.00	3.60
3	3.00	7.50	5.10
4	4.50	9.00	6.60
5	6.00	10.50	8.10
6	7.50	12.00	9.60
7	9.00	13.50	11.10
8	10.50	15.00	12.60
9	12.00	16.50	14.10
10	13.50	18.00	15.60
11	15.00	19.50	17.10
12	16.50	21.00	18.60
13	18.00	22.50	20.10

JAWS 兆旭股份有限公司
JAWS CO., LTD.

7F-1, NO.31, Lane 169, Kang Ning Street,
Hsichih, Taipei Hsien, Taiwan.
TEL:886-2-2692-2898
FAX:886-2-2692-2618
Http://www.jaws.com.tw

THIRD ANGLE
PROJECTION

DESIGN UNITS
mm INCH

SIZE: A4 SCALE: FREE SHEET: 1/1

CPN NO.:
DAN NO.: S9708-022

TITLE: 1.50mm WIRE-TO-BOARD
HEADER SMD 180° TYPE

PARTS NO.: 150A-SS-xxT

DWG NO.: JAWS-SOP-150A003

GENERAL TOLERANCES:

±0.30

DRAWN 游熾瑩 DATE 97/08/14

CHECK 郭坤峰 DATE 97.8.14

APPROVE 陳世官 DATE 97.8.15

REV. 01